

The Dacor logo is written in a bold, italicized, lowercase sans-serif font.

Family-Owned. American-Made.

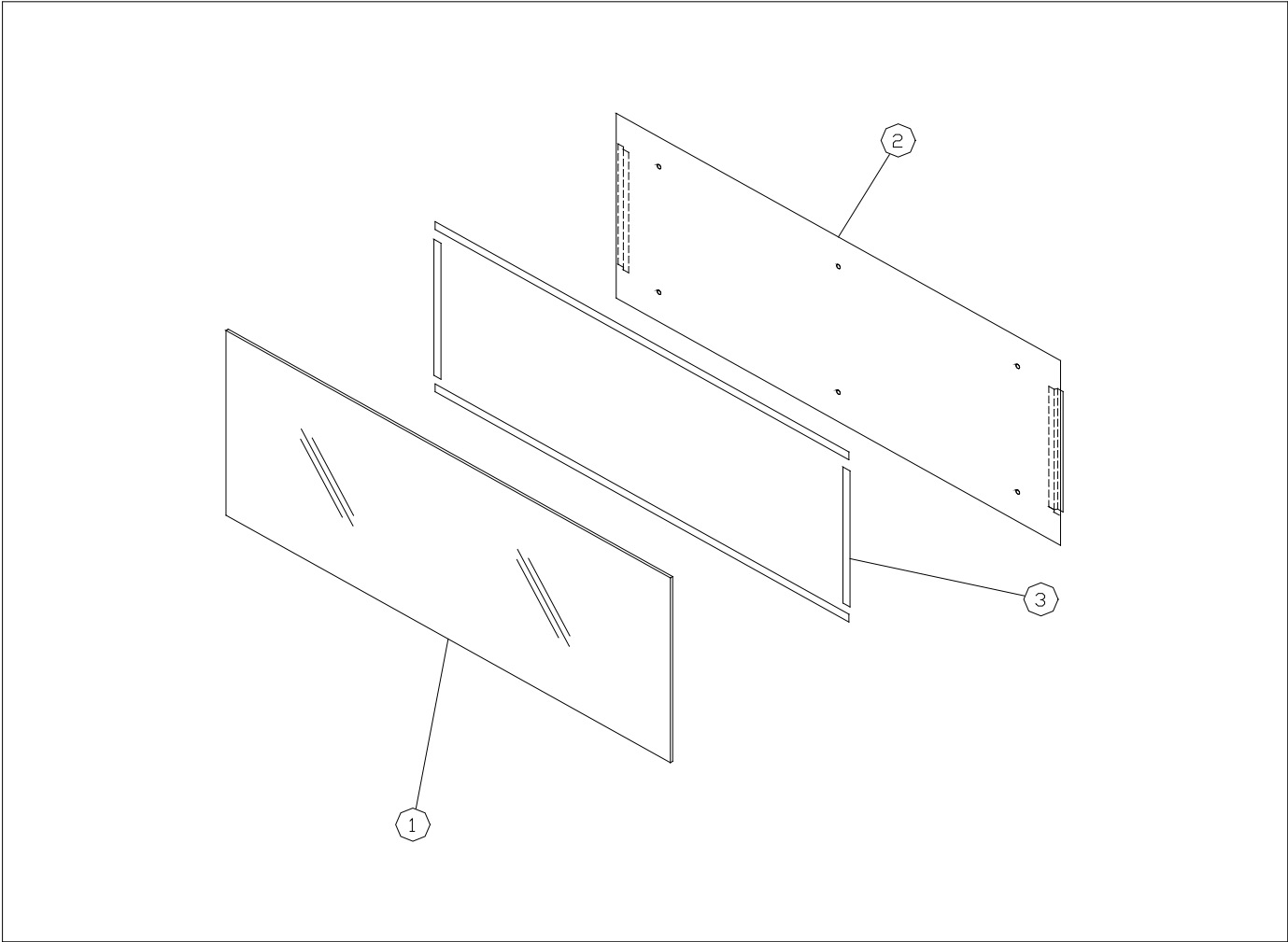
The background of the top half of the page is a faded photograph of a kitchen. In the center is a stainless steel Dacor warming oven with a glass door. On the countertop above it are various kitchen items like a bowl, a bottle, and a basket. The text 'PARTS CATALOG' is overlaid in large, semi-transparent, 3D-style letters.

**PARTS
CATALOG**

MWO Warming Oven

Glass Backing Panel	Drawer
Front Frame	Cabinet Weldment
Top Can	Updates

MWO-GLASS BACKING PANEL



REF#

- 1
- 2
- 3

DESCRIPTION

- DRAWER FRONT GLASS
- GLASS BACKING PANEL
- DOUBLE SIDE TAPE

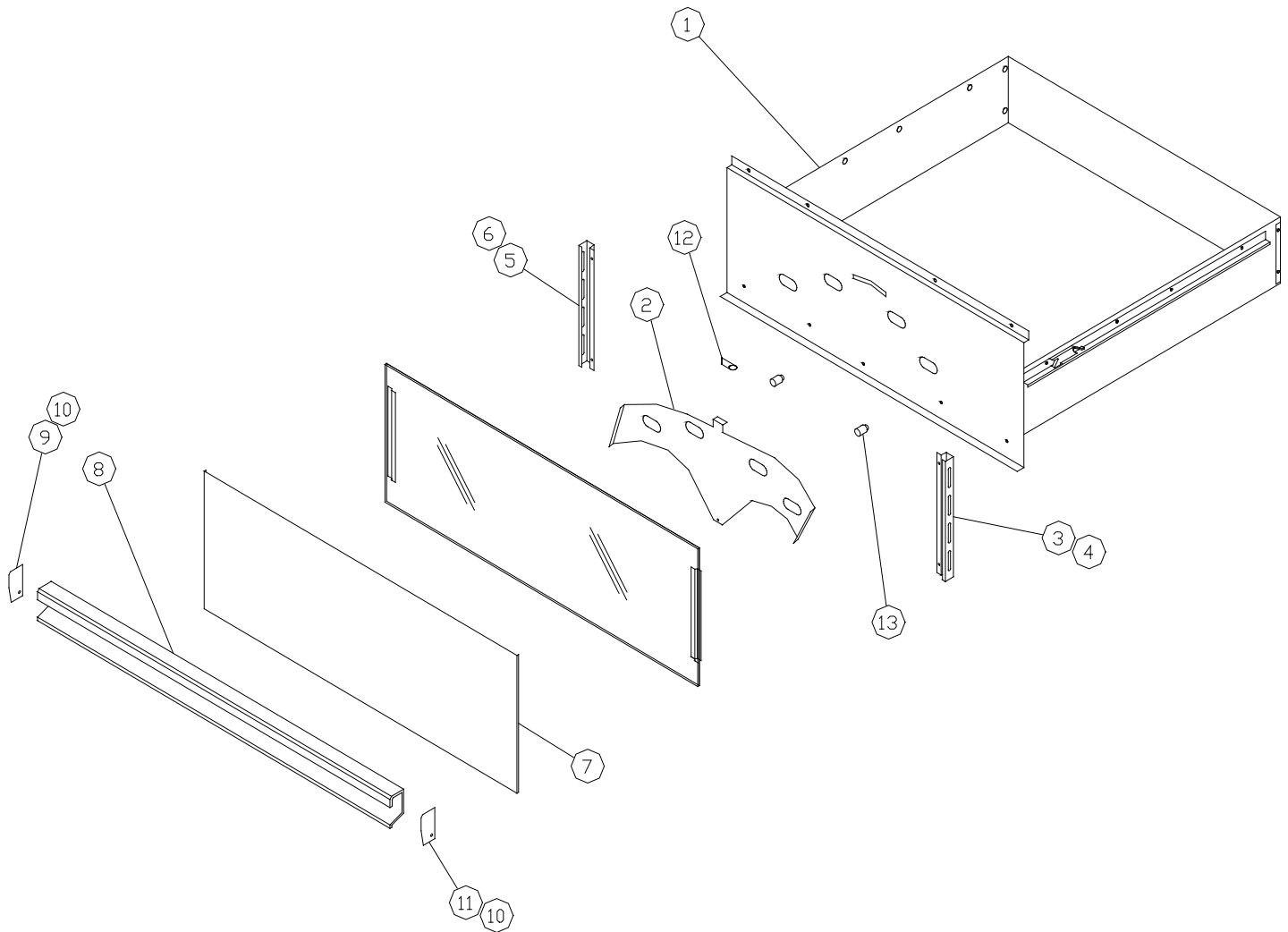
MWO27

- 62726B,R
- 27617B,R
- 83224

MWO30

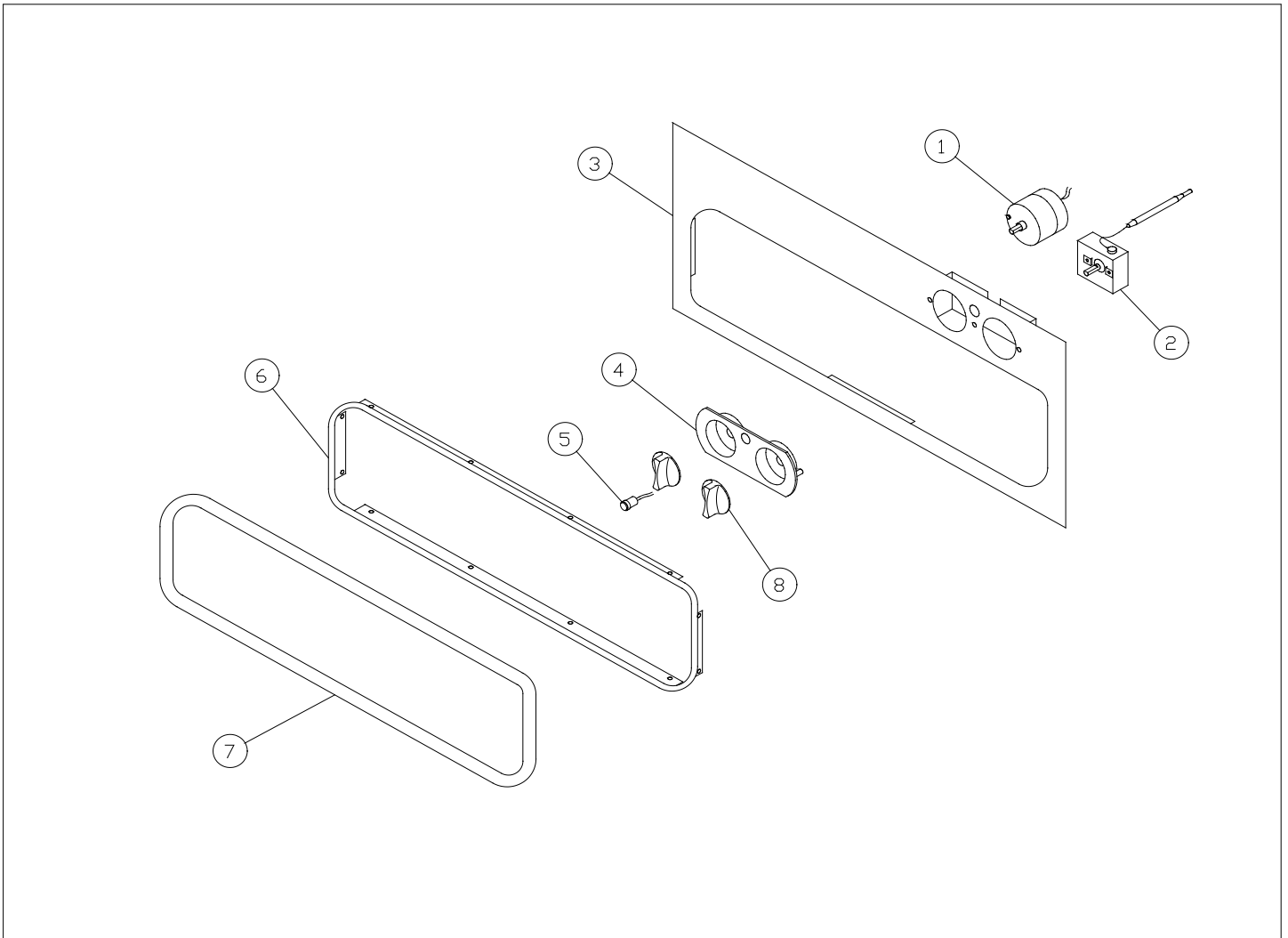
- 62727B,R
- 27618B,R
- 83224

MWO -DRAWER ASSEMBLY



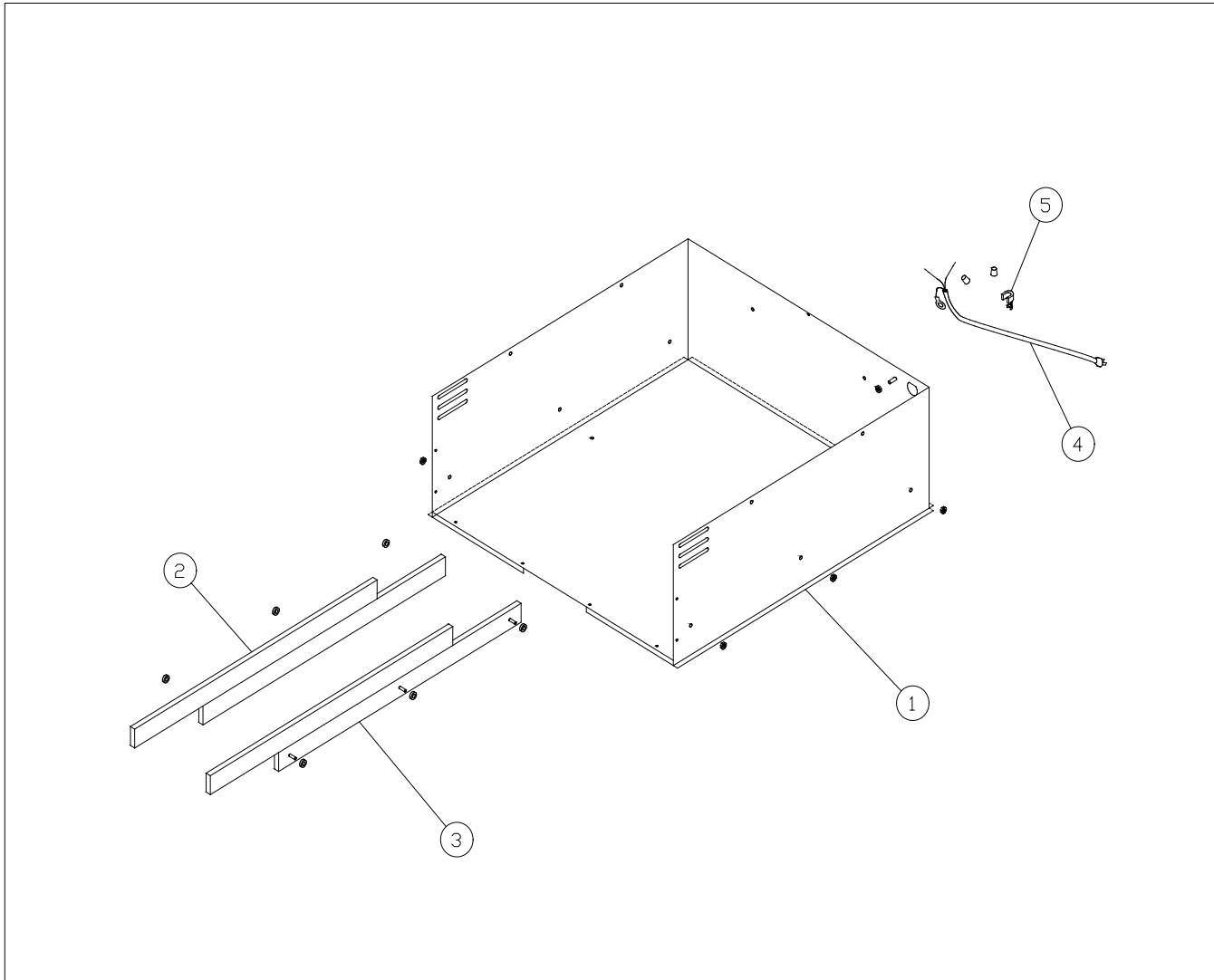
Ref #	Description	MWO27	MWO30
1	Drawer Assembly	13419	13420
2	Moist/Crisp Slide	36454	36454
3	Side Post, Right (Stainless)	36345	36345
4	Side Post, Right (Blk/Art)	36456B,R	36456B,R
5	Side Post, Left (Stainless)	36455	36455
6	Side Post, Left (Blk/Art)	36457B,R	36457B,R
7	Drawer Skin (Stainless)	36346	36347
8	Warming Oven Handle	62703B,R,S	62704B,R,S
9	End Cap, Left (Stainless)	36307	36307
10	End Cap, Left/Right (Blk/Art)	36433B,R	36433B,R
11	End Cap, Right (Stainless)	36308	36308
12	Damper Knob	82415B,G	82415B,G
13	Rubber Bumper	83578	83578

MWO-FRONT FRAME ASSEMBLY



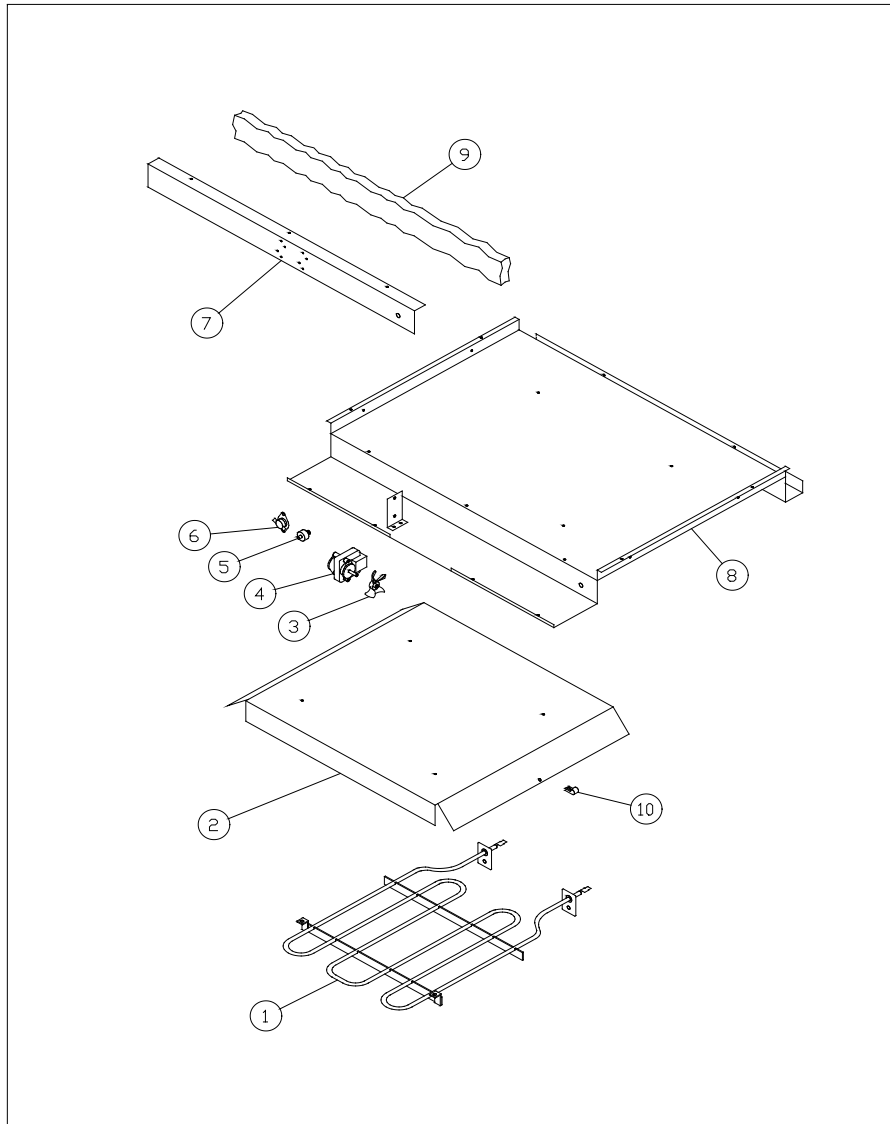
REF#	DESCRIPTION	MWO27	MWO30
1	TIMER ASSEMBLY	13169	13169
2	THERMOSTAT	62734	62734
3	FRONT FRAME	27216B,R	27216B,R
4	CONTROL PANEL BEZEL	62786B,G	62786B,G
5	OVERRIDE SWITCH	62659	62659
6	GASKET RETAINING TRIM	26681	26681
7	DRAWER GASKET	82280G	82280G
8	TIMER TEMP CONTROL KNOB	82267B,G	82267B,G

MWO-CABINET WELDMENT ASSEMBLY



REF#	DESCRIPTION	MWO27	MWO30
1	CABINET WELDMENT	27204	27204
2	LH SLIDE	82264	82264
3	RH SLIDE	82279	82279
4	POWER SUPPLY CORD	82562	82562
5	STRAIN RELIEF BUSHING	83141	83141

MWO-TOP CAN ASSEMBLY



REF#	DESCRIPTION	MWO27	MWO30
1	HEATING ELEMENT	82351	82351
2	REFLECTOR	26668	26668
3	COOLING FAN BLADE	82277	82277
4	COOLING FAN MOTOR	82276	82276
5	HIGH TEMPERATURE LIMIT	82353	82353
6	THERMAL FAN SWITCH	82354	82354
7	INSULATION COVER	26673	26673
8	TOP CAN ASSEMBLY	27222	27222
9	CONTROL INSULATION	82627	82627
10	THERMOSTAT CLIP	83436	83436